

Omni-ID® Flex 600

Omni-ID Flex 600 is a low profile, small form factor RFID tag designed specifically for attachment to office equipment. With its superior RF performance, this tag excels in portal applications expanding the read range to up to 9 meters. In addition, the Flex 600 tag is well suited to indoor applications where a low cost option is needed.

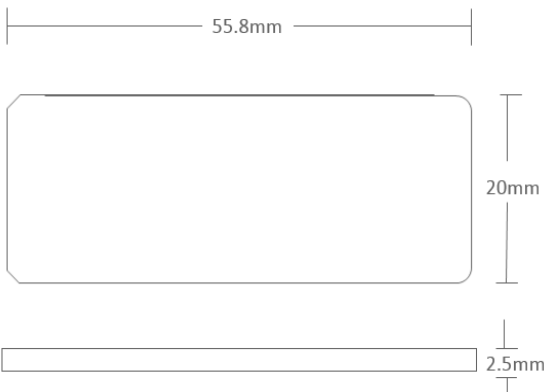
Applications

With a small footprint and consistent RF performance, the Flex 600 is ideally suited to applications such as:

- ▶ Office equipment
- ▶ Light outdoor use & RTI
- ▶ Portals

Physical Specifications

| | |
|------------|--|
| Coverstock | White synthetic label with transparent over laminate |
| Size (mm) | 55.8 x 20.0 x 2.50 |
| Size (in) | 2.20 x 0.79 x 0.10 |
| Weight (g) | 0.85 |



Dimensions stated in mm

RF Specifications

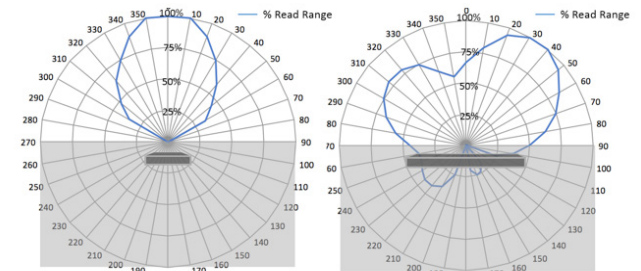
| | |
|---|--|
| Protocol | EPC Class 1 Gen2V2 |
| Frequency Range (MHz) | 902 - 928 (US), 866 - 868 (EU) |
| Read Range (Fixed Reader) ¹ | |
| On metal | Up to 6.0m (up to 9.0m @ 45°) |
| Off metal | Up to 3.0m (up to 5.5m @ 45°) |
| Read Range (Handheld Reader) ¹ | |
| On metal | Up to 3.0m |
| Off metal | Up to 1.5m |
| Material Compatibility | Optimized for Metal |
| IC Type (chip) | Monza R6-P |
| Memory ² | EPC - 128(96) bits User - 32(64) bits Unique TID - 48 bits |

¹ Quoted performance achieved using standard testing methodology on aluminium test plates. Read range is dependent on multiple factors such as; RFID reader transmit power and receiver sensitivity, asset material and environment.

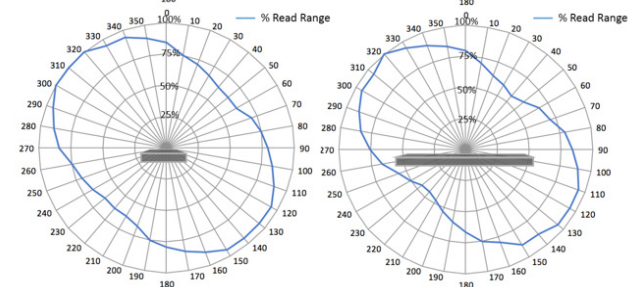
² EPC and User memory are reprogrammable. UTID is locked at point of manufacture by IC manufacturer.

Radiation Patterns

On Metal



Off Metal



Related Products and Services

- ▶ **Omni-ID IQ 350** - The smallest ultrathin label, easy to deploy and optimized for thermal barcode printers.
- ▶ **Omni-ID Prox 200**- Small form factor, global RFID tag ideal for IT asset management applications.
- ▶ **Omni-ID Flex 1200** - Low cost alternative to hard tags for applications requiring read ranges of up to 12 meters.
- ▶ **Service Bureau** - Omni-ID offers a full service bureau for printing and pre-encoding Omni-ID tags at point of manufacture.



Environmental Specifications

| | |
|-----------------------|---|
| Storage Temperature | -40 ° to +85 °C |
| Operation Temperature | -40 ° to +85 °C |
| Survivability | -40 ° to +85 °C |
| IP Rating | IP68 |
| Shock and Vibration | MIL STD 810-G |
| Attachment | Film adhesive (std) |
| Certifications | RoHS approved CE approved ATEX/IECEX certified (option) US&Canada (C1D1/D2) certified (option) |
| Warranty | 1 year |



Ordering Information

| | |
|---------------|---|
| Order code | 149 - EU, US |
| Order options | :303 (Customization) :304 (ATEX/IECEX certified) :307 (US&Canada (C1D1/D2) certified) :536 (Textured surface adhesive) |

Supplied in rolls of 1000 tags. Minimum order quantity is 1 roll.

¹ Excludes adhesive options, consult adhesive data sheets for recommended temperature ratings.